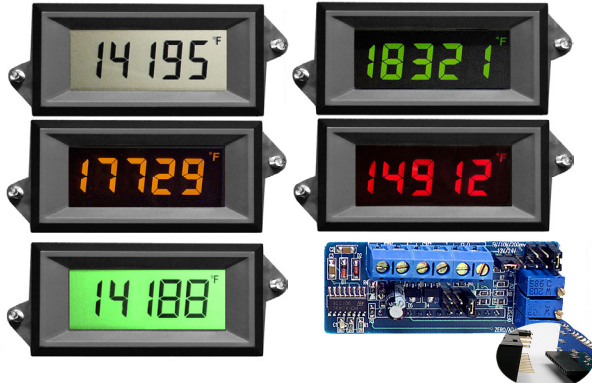


LCD Digital Panel Meters

Adjustable Voltage Powered 4½ Digit



FEATURES

- ▶ .45", 4½ digit display
- ▶ User-selectable decimal points
- ▶ User-selectable engineering units
- ▶ Non-backlit LCD or choice of AMBER, GREEN, RED or POS GREEN backlit LCD
- ▶ Wide ZERO (Offset) & SPAN (Gain) adjustment
- ▶ Snap-in panel mounting
- ▶ Gasket and clamp provided for NEMA 4, NEMA 12 & IP66 applications

SPECIFICATIONS

DISPLAY

Digits: 4 ½ digits (± 19999 counts)
 Type: .45" (11.4 mm) 7 segment high contrast LCD
 Polarity: automatic, "-" displayed
 Annunciators: °F, °C, PSI, %, user selectable
 Decimal Points: 4 position, user selectable
 Overrange: four lower order digits blank for inputs >19999 & <-19999

INPUTS

Voltage Ranges: 5 V, 10 V adjustable, 200mV fixed
 Configuration: single ended
 Impedance: 390K Ω

PERFORMANCE

Accuracy: $\pm(0.05\%$ of full scale + 1 count)
 Conversion Rate: 3 per second
 Normal Mode Rejection: >30 dB @ 60 Hz
 Warmup: 10 minutes typical
 Temperature Coeff.: ± 100 ppm per °C typical
 Adjustments: 25 turn potentiometers
 Offset Range: -19999 to +19999
 Gain Range: 1 to 19999 (custom ranges available)

ENVIRONMENT

Operating Range: -10 to 50 °C
 Storage Range: -10 to 75 °C

POWER SUPPLY

12/24 DC

MOUNTING

snap-in panel mount or clamp and gasket (included)

CONNECTION

screw terminals

ORDERING INFO

| PART NUMBER | BACKLIGHT COLOR | METER INPUT | METER POWER |
|-------------|-----------------|-------------|-------------|
| VPI-4-XEC | NO BACKLIGHT | Voltage | 12/24VDC |
| VPI-4A-XEC | AMBER | Voltage | 12/24VDC |
| VPI-4G-XEC | GREEN | Voltage | 12/24VDC |
| VPI-4R-XEC | RED | Voltage | 12/24VDC |
| VPI-4GP-XEC | POS GREEN | Voltage | 12/24VDC |

ACCESSORIES

| | |
|--------|--|
| PW2-12 | Regulated 120V AC to 12V DC Power Supply |
| PW2-24 | Regulated 120V AC to 24V DC Power Supply |
| PW1.0 | 24V AC to adjustable DC output |
| PW1.5 | 24V AC to adjustable DC output |
| CVC | Calibrator |

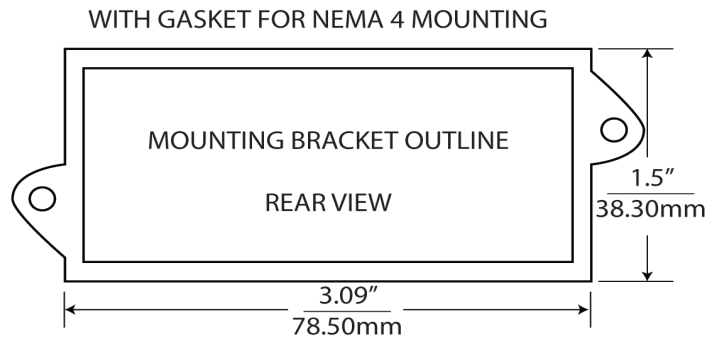
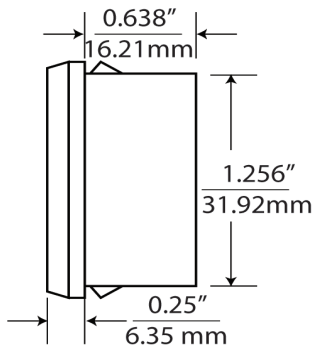
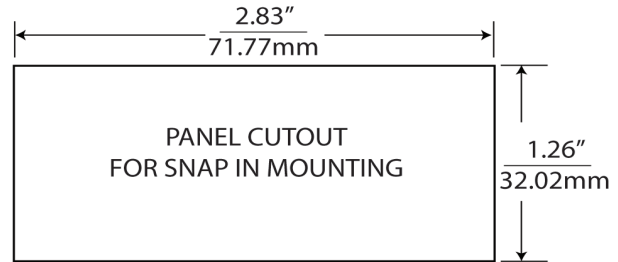
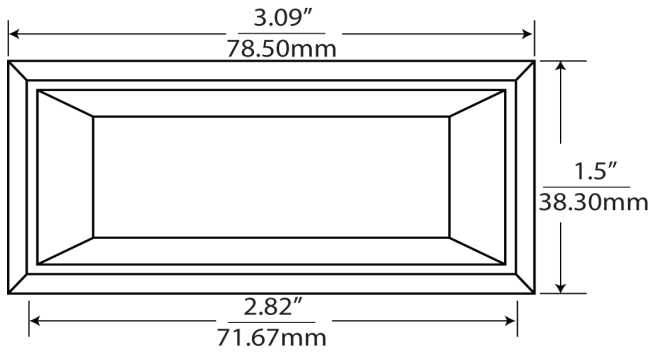


LCD Digital Panel Meters

Adjustable Voltage Powered 4½ Digit



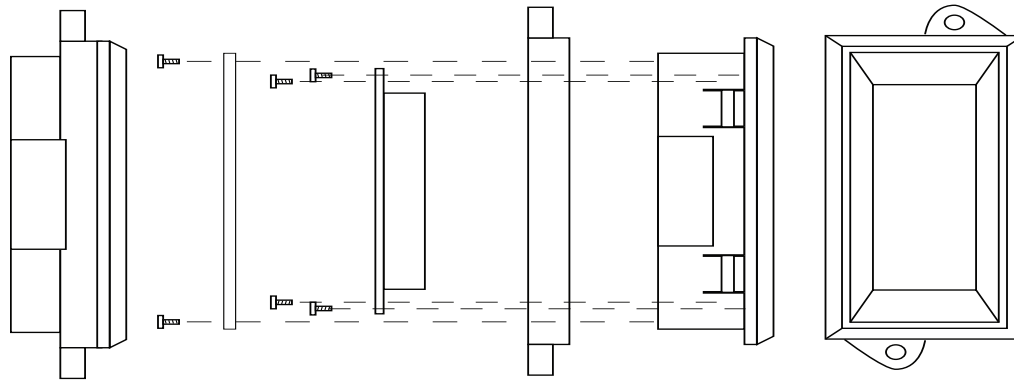
DIMENSIONS



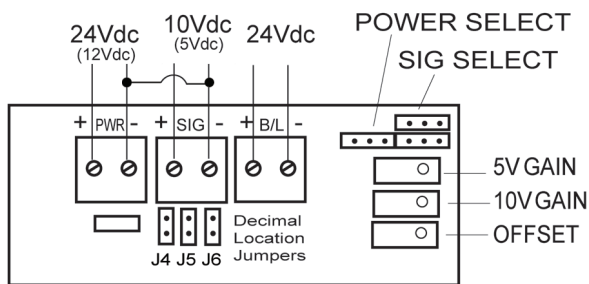
inches
mm

NOTES:

1. Panel thickness is: 0.032"/0.81mm to 0.25"/6.35mm
2. Gasket supplied is: 0.09"/2.25mm thick



WIRING



Decimal Point Selection

1. Locate jumpers J4 through J6 in the middle of the circuit board unit.
2. Jumper the appropriate decimal location as follows:
 J4 - 000.0
 J5 - 00.00
 J6 - 0.000
 None - 0000

