



LCD Digital Panel Meters

Large 1" - 3½ Digit AC/DC Powered, Voltage Controlled LCD DPM

FEATURES

- ▶ Large 1", 3½ digit display for easy viewing.
- ▶ User-selectable decimal points
- ▶ User-selectable engineering units
- ▶ Optional AMBER, GREEN, RED or BLUE backlit LCD
- ▶ Wide ZERO (Offset) & SPAN (Gain) adjustment
- ▶ Standard 1/8 DIN package
- ▶ Snap-in panel mounting



SPECIFICATIONS

DISPLAY

Digits: 3 ½ digits (± 1999 counts)
 Type: 1" (24.9 mm) 7 segment high contrast LCD automatic, "-" displayed
 Polarity: °F, °C, PSI, %, user-selectable or V, A, KW, PF
 Annunciators: 3 position, user selectable
 Decimal Points: three lower order digits blank for
 Overrange: inputs >1999 & < -1999

INPUTS

Voltage Ranges: 5 V, 10 V adjustable, 200mV fixed
 Configuration: single ended

PERFORMANCE

Accuracy: $\pm(0.05\%$ of full scale + 1 count)
 Conversion Rate: 3 per second
 Normal Mode Rejection: >30 dB @ 60 Hz
 Warmup: 10 minutes typical
 Temperature Coeff.: ± 100 ppm per °C typical
 Adjustments: 25 turn potentiometers
 Offset Range: -1999 to +1999
 Gain Range: 1 to 1999 (custom ranges available)

ENVIRONMENT

Operating Range: -10 to 50 °C
 Storage Range: -10 to 75 °C

POWER SUPPLY

24 VAC/DC

MOUNTING

snap-in panel mount

CONNECTION

screw terminals

ORDERING INFO

PART NUMBER	BACKLIGHT COLOR	METER INPUT	METER POWER
VPI-24*AC	NONE	Voltage	24VAC/DC
VPI-A24*AC	AMBER	Voltage	24VAC/DC
VPI-B24*AC	BLUE	Voltage	24VAC/DC
VPI-G24*AC	GREEN	Voltage	24VAC/DC
VPI-R24*AC	RED	Voltage	24VAC/DC

*Add (P) for Power Engineering Units V, A, KW, PF

ACCESSORIES

CVC Calibrator

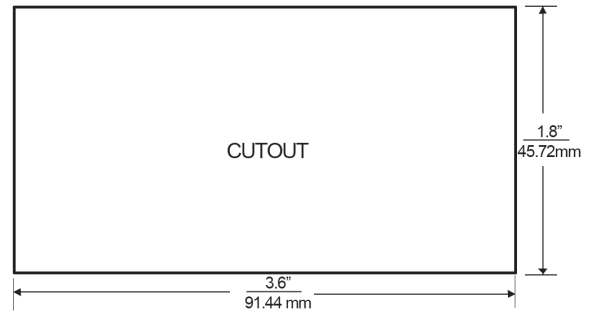
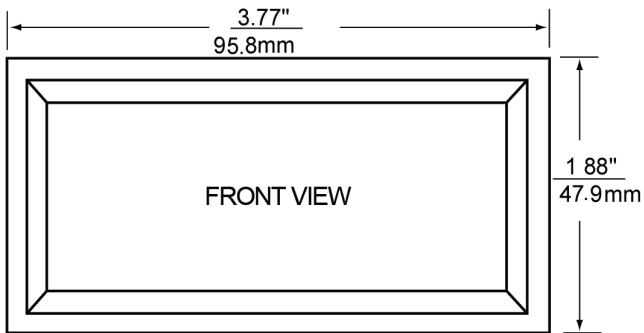


LCD Digital Panel Meters

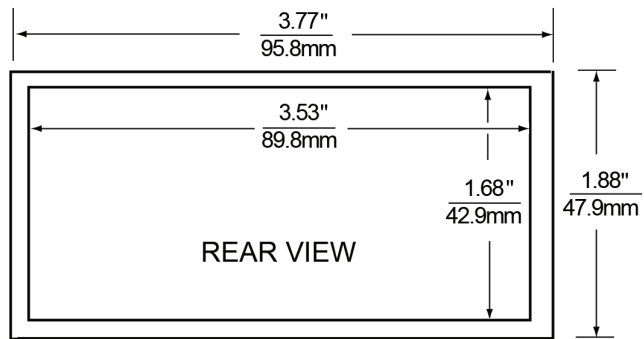
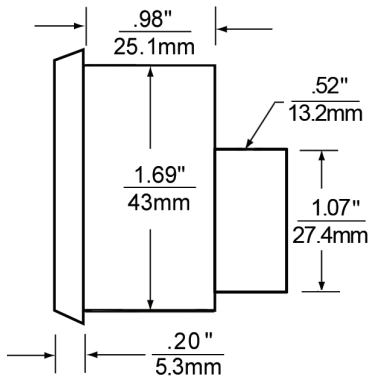
Large 1" - 3½ Digit AC/DC Powered, Voltage Controlled LCD DPM



DIMENSIONS

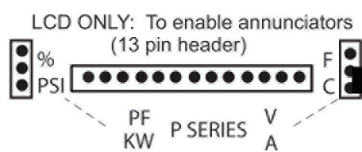


Inches
mm



WIRING

Lower Board



Upper Board

